

Network Video Recorder

NVR204E Series



Key Features

16/32-channel input

Third-party IP cameras supported with ONVIF conformance

HDMI and VGA output up to 1080P

Up to 4 Megapixels resolution recording

Accurate retrieval, instant playback

4 SATA HDD up to 24 TB

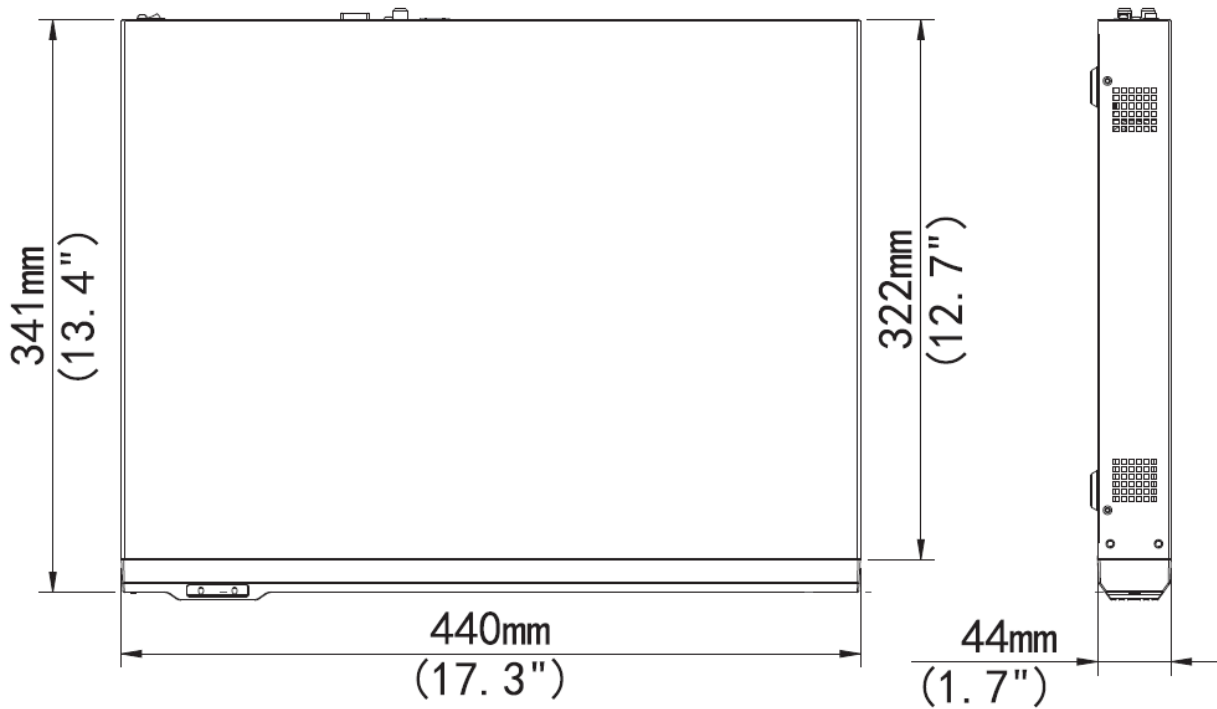
Support for P2P, UPnP, NTP, DHCP, PPPoE

Support for mobile client access

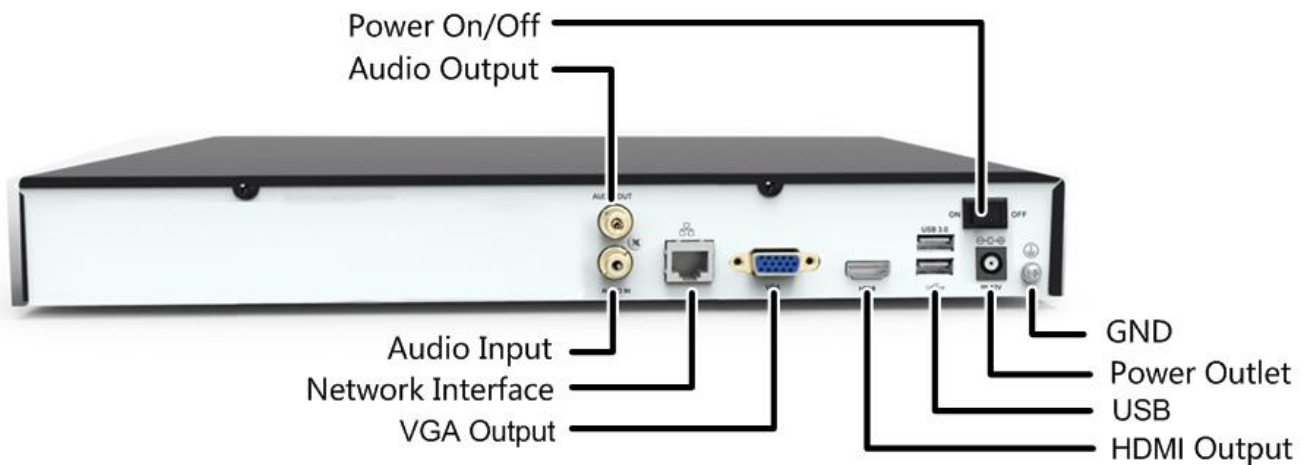
Specifications

Model	NVR204-16E	NVR204-32E
Video/Audio Input		
IP Video Input	16-ch	32-ch
Two-way Audio Input	1-ch, RCA	
Network		
Incoming Bandwidth	160Mbps	200Mbps
Outgoing Bandwidth	96Mbps	
Remote Users	128	
Video/Audio Output		
HDMI/VGA Output	HDMI/VGA: 1920x1080p /60Hz, 1920x1080p /50Hz, 1600x1200 /60Hz, 1280x1024 /60Hz, 1280x720 /60Hz, 1024x768 /60Hz	
Recording Resolution	4MP/3MP/1080p/960p/720p/D1/2CIF/CIF	
Audio Output	1-ch, RCA	
Synchronous Playback	16-ch	
Decoding		
Compression	H.264	
Live view/Playback	4MP/3MP/1080p/960p/720p/D1/2CIF/CIF	
Capability	4 x 4MP@20, 6 x 1080p@25, 16 x 720p@25, 32 x D1	
Hard Disk		
SATA	4 SATA interfaces	
Capacity	up to 6TB for each disk	
External Interface		
Network Interface	2 RJ-45 10M/100M/1000M self-adaptive Ethernet Interfaces	
Serial Interface	1 x RS485	
USB Interface	Front panel: 1 x USB2.0 Rear panel: 1 x USB2.0, 1 x USB3.0	
Alarm In	8-ch	
Alarm Out	2-ch	
General		
Power Supply	12V DC	
Consumption (without HDD)	≤ 8 W	
Working Temperature	-10°C ~ + 55°C (+14°F ~ +131°F)	
Working Humidity	10% ~ 90%	
Dimensions	44 × 440 × 341mm (1.7" × 17.3" × 13.4")	
Weight (without HDD)	≤ 3.09 Kg (6.81 lb)	

Dimensions



Rear Panel



Zhejiang Uniview Technologies Co., Ltd.

Building No.10, Wanlun Science Park, Jiangling Road 88, Binjiang District, Hangzhou, Zhejiang, China

Email: overseasbusiness@uniview.com; globalsupport@uniview.com

<http://www.uniview.com>

©2011-2017 Zhejiang Uniview Technologies Co.,Ltd. All rights reserved.

*Product specifications and availability are subject to change without notice.